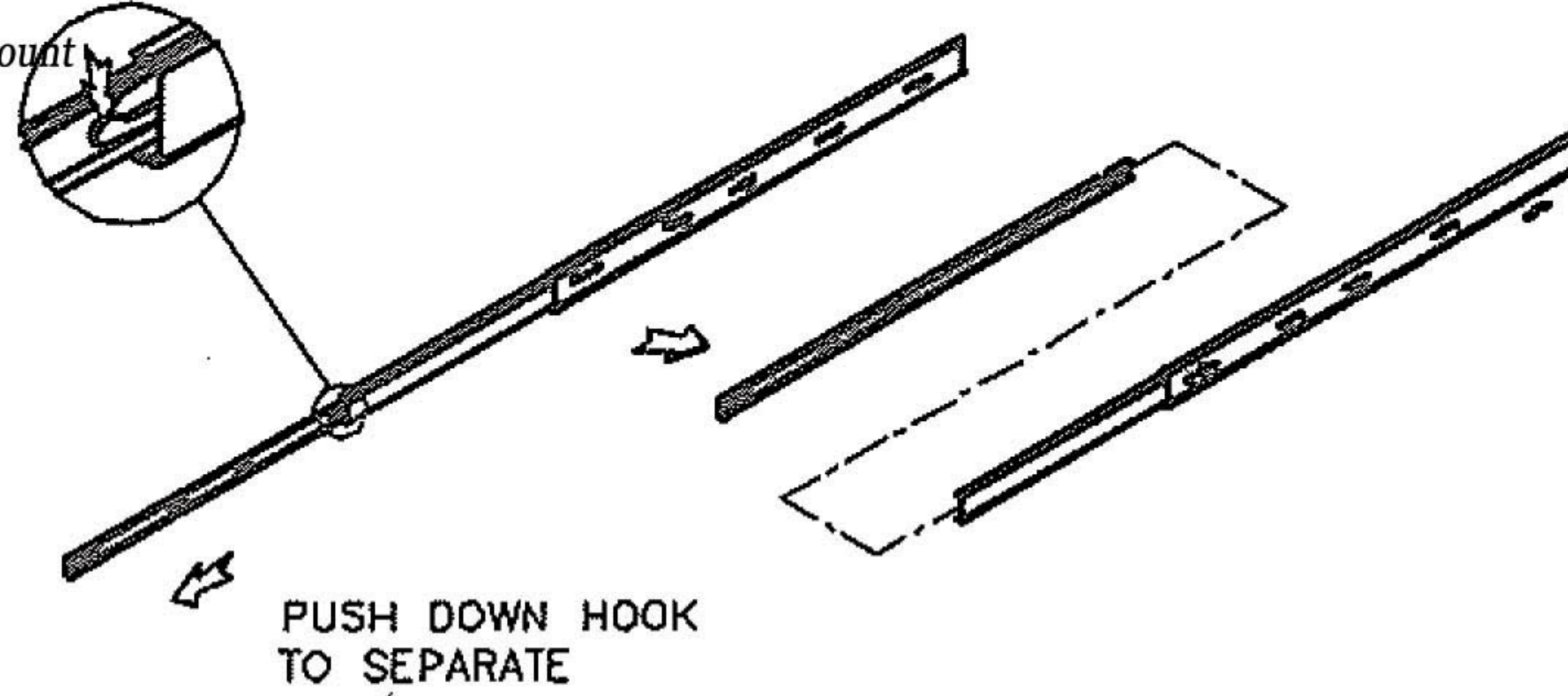


Sliding rail assembly procedure

1. Disassemble the slide rail

- Features:
1. 3-sections, ball-bearing easy-mount design.
 2. pull-out lock
 3. load rating 130lbs up
 4. 0.5" (12.7mm) thickness
 5. 1.8" (46.7mm) height
 6. max. ext. to 38" long

HOOK



2. Assemble inner rail to chassis

3 hardware bags included:

Fasten 8 screws to fix inner rail on chassis

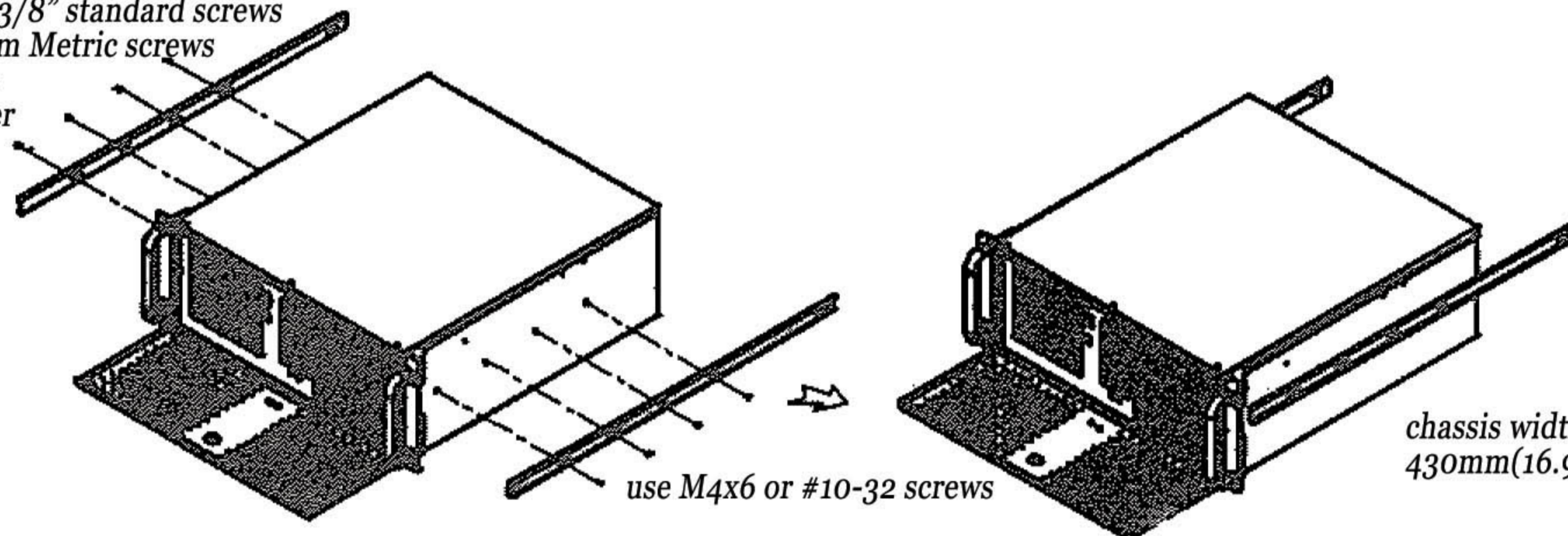
bag1: four adjustable brackets (M5 screw hole)

bag2: Ten #10-32 3/8" standard screws

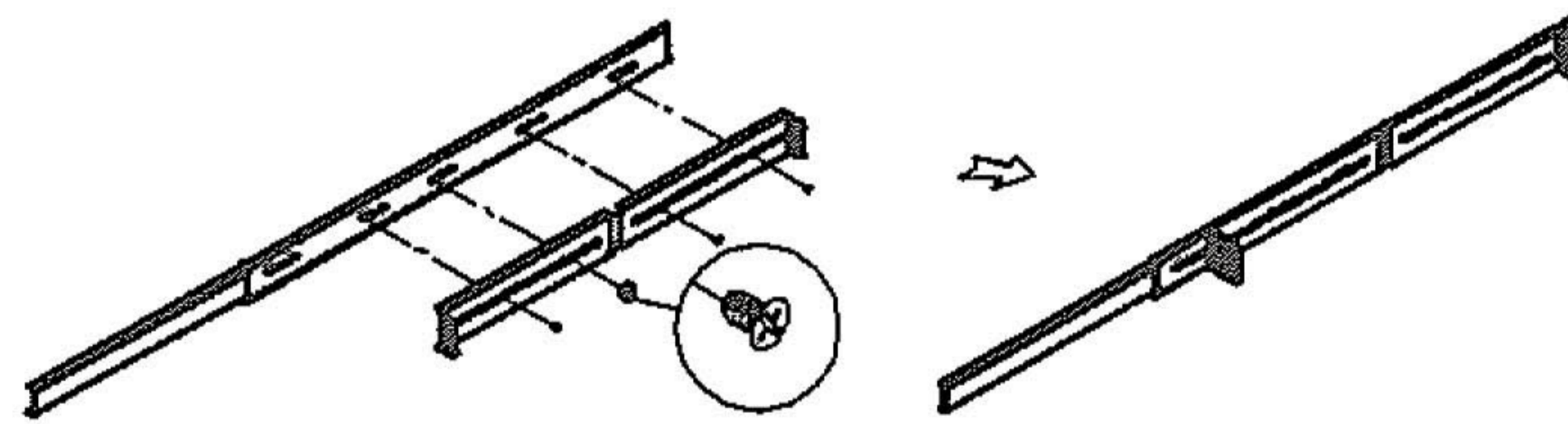
bag3: 16* M5x10mm Metric screws

20* M4x6mm

10* M4 washer



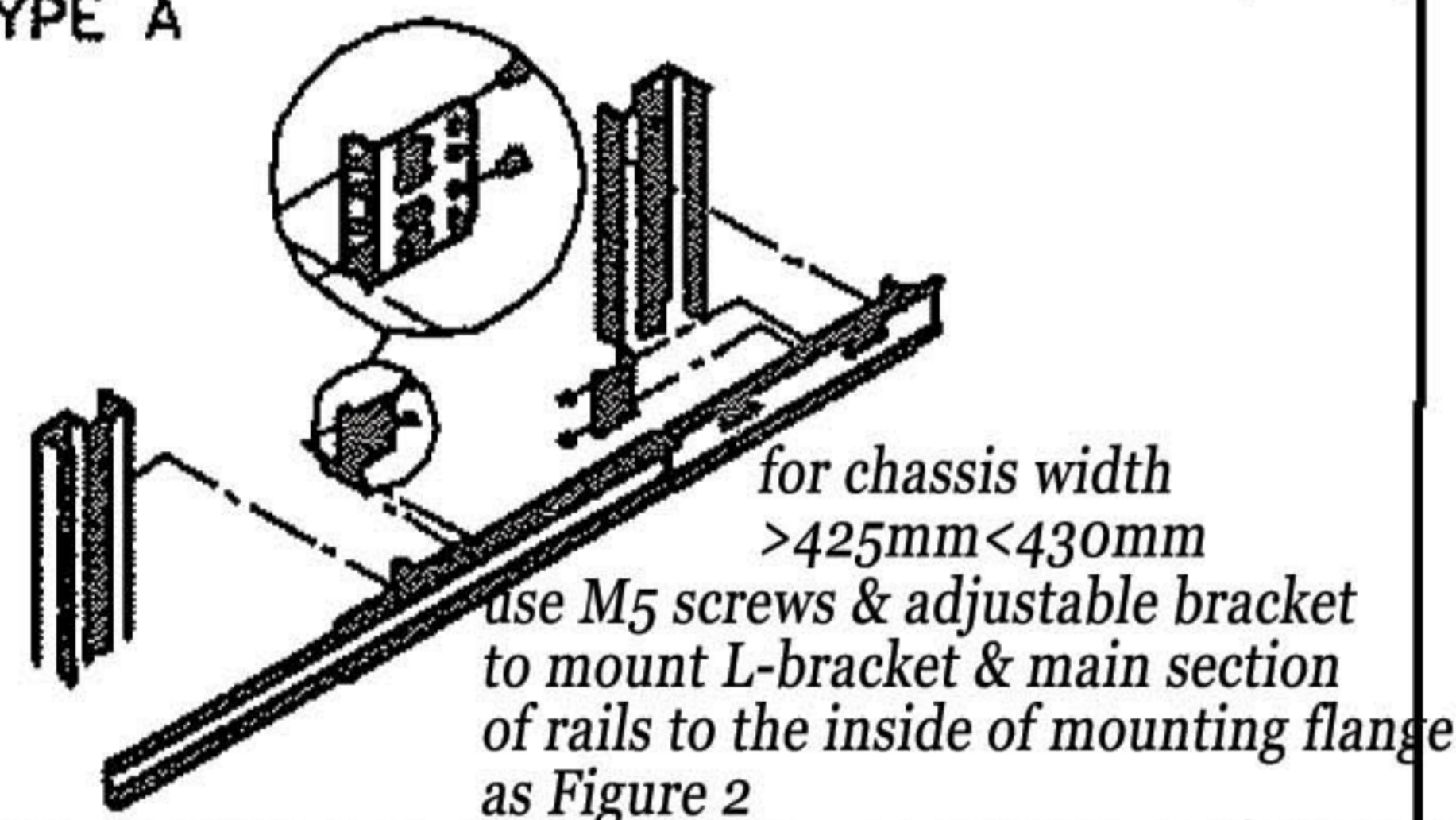
3. Fasten L shape & out piece of rail together



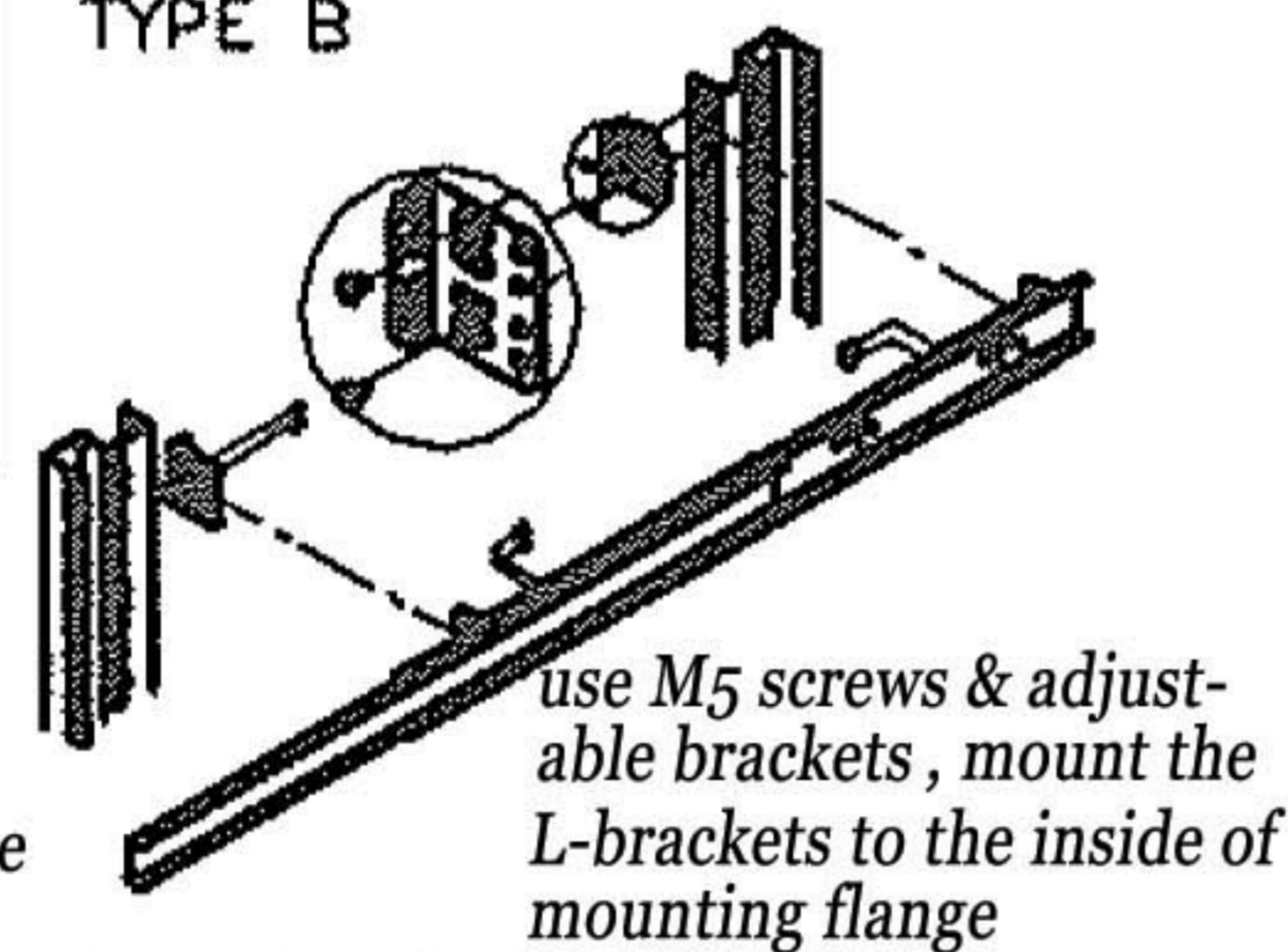
mount the L-brackets w/M4x6 to the tapped holes on outer rails

4. Mount L shape & external rail to rack frame

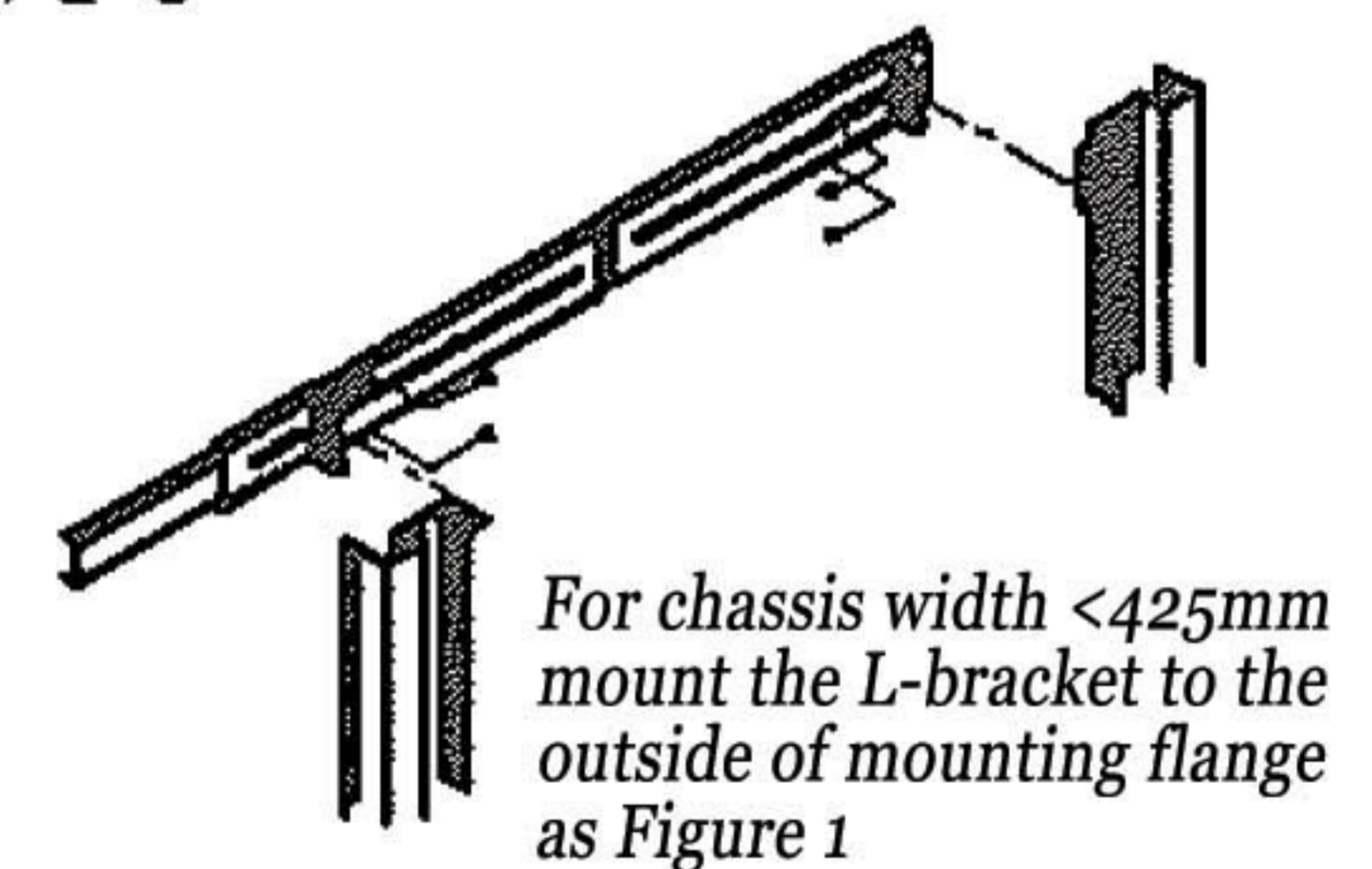
TYPE A



TYPE B



TYPE C



5. Insert chassis to frame

