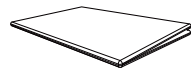




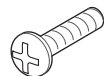
STN-SF40 Installation Guide

STN-SF40 Installation Guide

Package Contents / Contenu de l'emballage



SUR40 Installation Guide
SUR40 Installation Guide



Screw (M4 X L16) 25EA
Vis (M4 X L16) 25EA

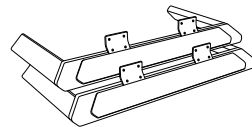
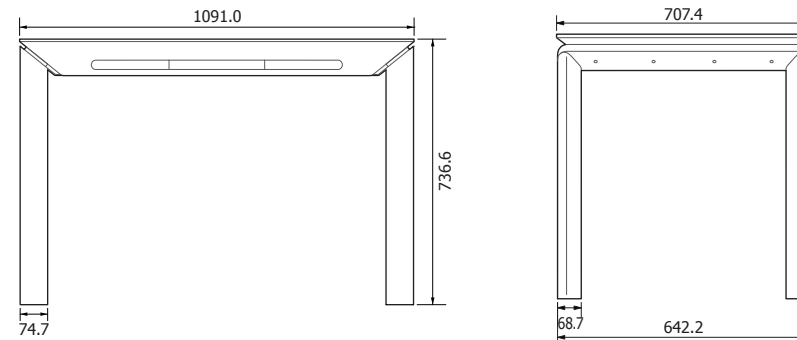


Table legs
Pieds de table



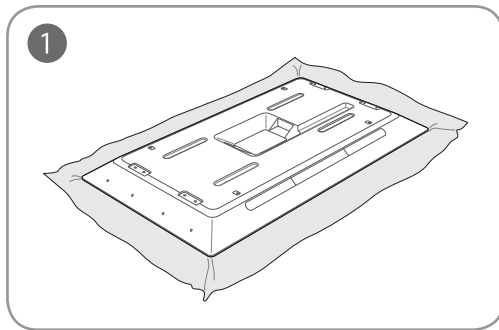
Rubber-Bottom
Rubber-Bottom

Dimension / Dimensions



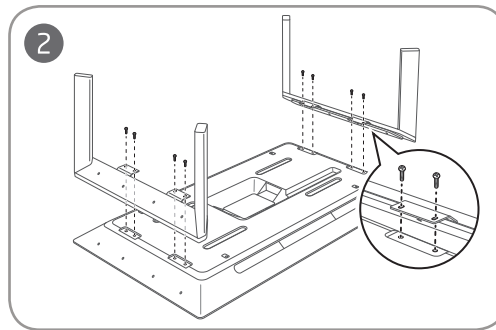
- Weight : 13.6 Kg

Assembly / 조립하기

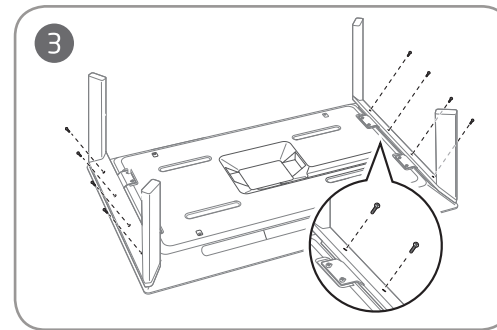


Place a soft blanket between the ground and the display for protection. Next, start attaching the legs.
Place a soft blanket between the ground and the display for protection. Next, start attaching the legs.
Place a soft blanket between the ground and the display for protection. Next, start attaching the legs.
Place a soft blanket between the ground and the display for protection. Next, start attaching the legs.
Place a soft blanket between the ground and the display for protection. Next, start attaching the legs.
Place a soft blanket between the ground and the display for protection. Next, start attaching the legs.
Place a soft blanket between the ground and the display for protection. Next, start attaching the legs.
Place a soft blanket between the ground and the display for protection. Next, start attaching the legs.
Place a soft blanket between the ground and the display for protection. Next, start attaching the legs.
Place a soft blanket between the ground and the display for protection. Next, start attaching the legs.
Place a soft blanket between the ground and the display for protection. Next, start attaching the legs.
Place a soft blanket between the ground and the display for protection. Next, start attaching the legs.
Place a soft blanket between the ground and the display for protection. Next, start attaching the legs.

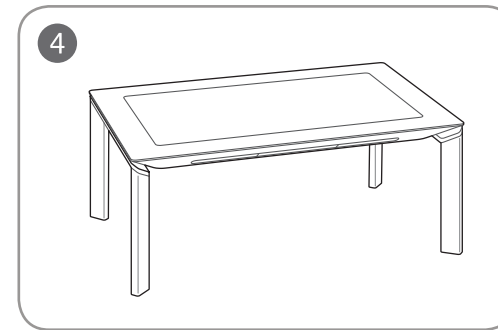
제품 보호를 위해 바닥에 부드러운 천을 깔고 다리조립을 시작하세요.



Fasten the screws into the 4 grooves on each of the sides as shown in the image.
Fasten the screws into the 4 grooves on each of the sides as shown in the image.
Fasten the screws into the 4 grooves on each of the sides as shown in the image.
Fasten the screws into the 4 grooves on each of the sides as shown in the image.
Fasten the screws into the 4 grooves on each of the sides as shown in the image.
Fasten the screws into the 4 grooves on each of the sides as shown in the image.
Fasten the screws into the 4 grooves on each of the sides as shown in the image.
Fasten the screws into the 4 grooves on each of the sides as shown in the image.
Fasten the screws into the 4 grooves on each of the sides as shown in the image.
Fasten the screws into the 4 grooves on each of the sides as shown in the image.
Fasten the screws into the 4 grooves on each of the sides as shown in the image.
Fasten the screws into the 4 grooves on each of the sides as shown in the image.
Fasten the screws into the 4 grooves on each of the sides as shown in the image.
Fasten the screws into the 4 grooves on each of the sides as shown in the image.
Fasten the screws into the 4 grooves on each of the sides as shown in the image.
Fasten the screws into the 4 grooves on each of the sides as shown in the image.
그림과 같이 좌,우 4개의 홈에 나사를 고정하세요.



Fasten the screws into the 4 grooves on each of the sides as shown in the image.
Fasten the screws into the 4 grooves on each of the sides as shown in the image.
Fasten the screws into the 4 grooves on each of the sides as shown in the image.
Fasten the screws into the 4 grooves on each of the sides as shown in the image.
Fasten the screws into the 4 grooves on each of the sides as shown in the image.
Fasten the screws into the 4 grooves on each of the sides as shown in the image.
Fasten the screws into the 4 grooves on each of the sides as shown in the image.
Fasten the screws into the 4 grooves on each of the sides as shown in the image.
Fasten the screws into the 4 grooves on each of the sides as shown in the image.
Fasten the screws into the 4 grooves on each of the sides as shown in the image.
Fasten the screws into the 4 grooves on each of the sides as shown in the image.
Fasten the screws into the 4 grooves on each of the sides as shown in the image.
Fasten the screws into the 4 grooves on each of the sides as shown in the image.
Fasten the screws into the 4 grooves on each of the sides as shown in the image.
Fasten the screws into the 4 grooves on each of the sides as shown in the image.
Fasten the screws into the 4 grooves on each of the sides as shown in the image.
Fasten the screws into the 4 grooves on each of the sides as shown in the image.
그림과 같이 좌,우 4개의 홈에 나사를 고정하세요.



The assembly is complete.
The assembly is complete.
The assembly is complete.
The assembly is complete.
The assembly is complete.
The assembly is complete.
The assembly is complete.
The assembly is complete.
The assembly is complete.
The assembly is complete.
The assembly is complete.
The assembly is complete.
The assembly is complete.
The assembly is complete.
The assembly is complete.
The assembly is complete.
The assembly is complete.
조립을 완료합니다.

Caution / Avertissement

- The display is faced down when the table legs are attached.
Extra care should be taken to ensure the panel does not get damaged.
- The table legs are heavy. Ensure the display is not scratched or damaged by the legs.
- Ensure the table legs are attached in the correct positions on the display. Do not reverse the left and right legs.
- Do not drill the screws with excessive force. The product may get damaged.
- Do not drag the assembled product on the floor when moving. The rubber tips on the table legs may get damaged.

- The display is faced down when the table legs are attached.
Extra care should be taken to ensure the panel does not get damaged.
- The table legs are heavy. Ensure the display is not scratched or damaged by the legs.
- Ensure the table legs are attached in the correct positions on the display. Do not reverse the left and right legs.
- Do not drill the screws with excessive force. The product may get damaged.
- Do not drag the assembled product on the floor when moving. The rubber tips on the table legs may get damaged.

- The display is faced down when the table legs are attached.
Extra care should be taken to ensure the panel does not get damaged.
- The table legs are heavy. Ensure the display is not scratched or damaged by the legs.
- Ensure the table legs are attached in the correct positions on the display. Do not reverse the left and right legs.
- Do not drill the screws with excessive force. The product may get damaged.
- Do not drag the assembled product on the floor when moving. The rubber tips on the table legs may get damaged.

- The display is faced down when the table legs are attached.
Extra care should be taken to ensure the panel does not get damaged.
- The table legs are heavy. Ensure the display is not scratched or damaged by the legs.
- Ensure the table legs are attached in the correct positions on the display. Do not reverse the left and right legs.
- Do not drill the screws with excessive force. The product may get damaged.
- Do not drag the assembled product on the floor when moving. The rubber tips on the table legs may get damaged.

- The display is faced down when the table legs are attached.
Extra care should be taken to ensure the panel does not get damaged.
- The table legs are heavy. Ensure the display is not scratched or damaged by the legs.
- Ensure the table legs are attached in the correct positions on the display. Do not reverse the left and right legs.
- Do not drill the screws with excessive force. The product may get damaged.
- Do not drag the assembled product on the floor when moving. The rubber tips on the table legs may get damaged.

- The display is faced down when the table legs are attached.
Extra care should be taken to ensure the panel does not get damaged.
- The table legs are heavy. Ensure the display is not scratched or damaged by the legs.
- Ensure the table legs are attached in the correct positions on the display. Do not reverse the left and right legs.
- Do not drill the screws with excessive force. The product may get damaged.
- Do not drag the assembled product on the floor when moving. The rubber tips on the table legs may get damaged.

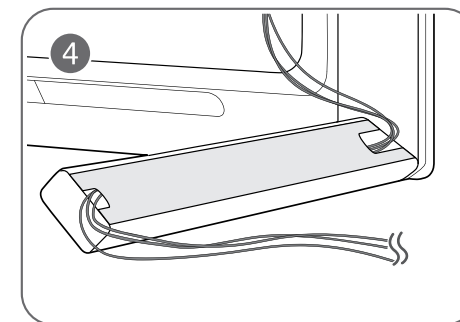
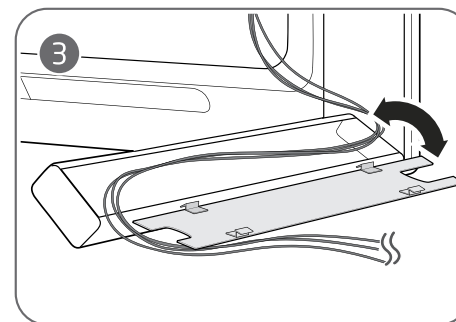
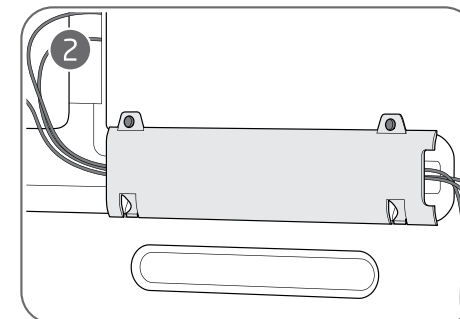
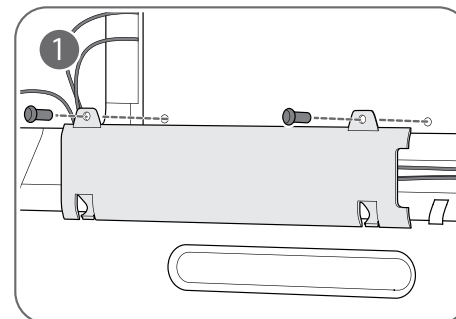
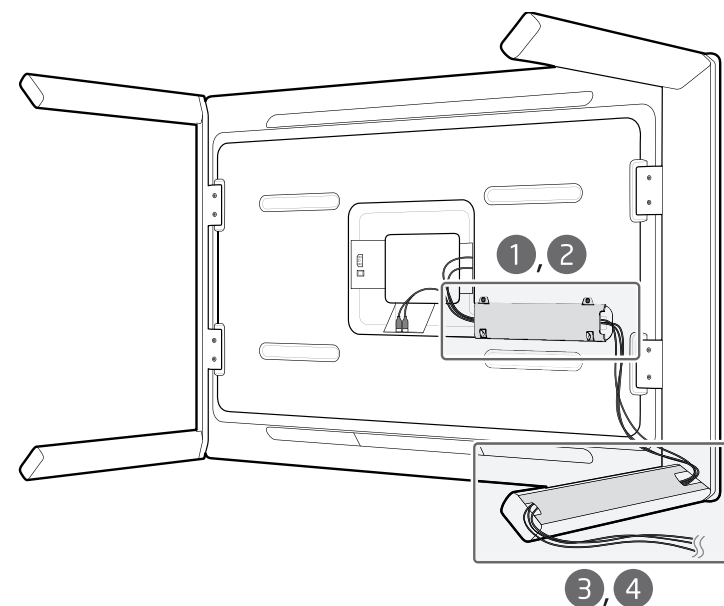
- The display is faced down when the table legs are attached.
Extra care should be taken to ensure the panel does not get damaged.
- The table legs are heavy. Ensure the display is not scratched or damaged by the legs.
- Ensure the table legs are attached in the correct positions on the display. Do not reverse the left and right legs.
- Do not drill the screws with excessive force. The product may get damaged.
- Do not drag the assembled product on the floor when moving. The rubber tips on the table legs may get damaged.

- The display is faced down when the table legs are attached.
Extra care should be taken to ensure the panel does not get damaged.
- The table legs are heavy. Ensure the display is not scratched or damaged by the legs.
- Ensure the table legs are attached in the correct positions on the display. Do not reverse the left and right legs.
- Do not drill the screws with excessive force. The product may get damaged.
- Do not drag the assembled product on the floor when moving. The rubber tips on the table legs may get damaged.

- The display is faced down when the table legs are attached.
Extra care should be taken to ensure the panel does not get damaged.
- The table legs are heavy. Ensure the display is not scratched or damaged by the legs.
- Ensure the table legs are attached in the correct positions on the display. Do not reverse the left and right legs.
- Do not drill the screws with excessive force. The product may get damaged.
- Do not drag the assembled product on the floor when moving. The rubber tips on the table legs may get damaged.

- 제품을 뒤집어 받침다리를 결합하게 되므로, 이때에 패널이 손상되지 않도록 주의하세요.
- 받침다리가 무거우므로 조립 시에는 제품이 찌그러지거나 굽혀 손상되지 않도록 유의하세요.
- 받침다리는 제품의 조립 위치(좌, 우)에 맞도록 조립하세요.
- 과도한 힘이나 지나친 드릴의 힘으로 나사를 결합하면 제품이 파손될 수 있습니다.
- 제품 이동 시에는 바닥에 끌리지 않도록 하세요. 제품 다리 바닥에 부착된 고무가 파손될 수 있습니다.

Tidy-up the Wires / Regroupement des câbles



BN68-03155-00